

PARTS MANUAL

**FORTIS®
S135FT,S155FT
(D024)**

CUSTOMER EDITION

HYSTER

SECTIONS

1	FRAME
2	ENGINES
3	FUEL SYSTEM
4	ELECTRICAL SYSTEM
5	TRANSMISSION
6	DRIVE AXLE
7	STEERING SYSTEM
8	BRAKE SYSTEM
9	HYDRAULIC SYSTEM
10	MAST-TWO STAGE LIMITED FREE-LIFT
11	MAST-THREE STAGE FULL FREE-LIFT
12	OPTIONS
13	FIELD CONVERSION KITS
14	NUMERICAL INDEX

This Parts Manual is divided into 14 major sections which are listed above. Quick reference to these sections can be made by placing the right thumb on the tab of the desired section, bending the book back and thumbing the pages to the corresponding tab.

**Thanks very much for your reading,
Want to get more information,
Please click here, Then get the complete
manual**

JustClickHere 

NOTE:

**If there is no response to click on the link above,
please download the PDF document first, and then
click on it.**

**Have any questions please write to me:
admin@servicemanualperfect.com**

TABLE OF CONTENTS

DESCRIPTION	PAGE
A	
ACCUMULATOR	12-8
ADD ON OPTION KITS	13-3
AIR FILTER	3-8
AIR HEATER STARTING AID	
CUMMINS 4.5L DIESEL (→ S/N D024V01962F EXC. 01934)	2-50
CUMMINS 4.5L DIESEL (S/N D024V01962F → INC. 01934)	2-52
AIR INTAKE	
CUMMINS 4.5L DIESEL	3-6
GM 4.3L, GASOLINE AND LPG (→ S/N D024V01987F)	3-2
GM 4.3L, GASOLINE AND LPG (S/N D024V01988F →)	3-4
ALTERNATOR AND MOUNTING	
CUMMINS 4.5L DIESEL	4-34
ASSEMBLED ENGINE	
GM 4.3L GASOLINE AND LPG - SHEET 1 OF 3	2-26
GM 4.3L GASOLINE AND LPG - SHEET 2 OF 3	2-30
GM 4.3L GASOLINE AND LPG - SHEET 3 OF 3	2-34
ATTACHMENT MOUNTING KITS	13-2
AUDIBLE ALARM KITS	13-3
AUXILIARY FUNCTION HOSES	
TWO AND THREE STAGE MASTS	12-18
AUXILIARY ONE AND TWO SECTIONS	
MANUAL CONTROL VALVE - THREE AND FOUR FUNCTION	9-44
AUXILIARY ONE SECTION	
ELECTRONIC CONTROL VALVE - THREE, FOUR, AND FIVE FUNCTION	9-60
AUXILIARY TUBE EXTENSION KIT	13-7
AUXILIARY TUBE EXTENSIONS	
THREE STAGE FULL FREE LIFT - FOURTH FUNCTION WITHOUT QUICK DISCONNECT FITTINGS	12-24
THREE STAGE FULL FREE-LIFT - THIRD FUNCTION WITHOUT QUICK DISCONNECT FITTINGS	12-20
THREE STAGE FULL FREE-LIFT - THIRD FUNCTION WITH QUICK DISCONNECT FITTINGS	12-22
THREE STAGE FULL FREE-LIFT - FOURTH FUNCTION WITH QUICK DISCONNECT FITTINGS	12-26
AUXILIARY TWO SECTION	
ELECTRONIC CONTROL VALVE - FOUR AND FIVE FUNCTION	9-62
AXLE HOUSING	
LEFT HAND	6-8
B	
BACK-UP ALARM	12-7
BATTERY CABLES	
CUMMINS 4.5L DIESEL	4-32
GM 4.3L GASOLINE AND LPG	4-16
BRAKE AND INCHING PEDAL CONVERSION	13-2
BRAKE COOLING SYSTEM	
SINGLE AND DUAL PEDAL	8-10
BRAKE MASTER CYLINDER ASSEMBLY	8-9
BRAKE PEDAL LINKAGE	
DUAL PEDAL	8-6

TABLE OF CONTENTS (continued)

DESCRIPTION	PAGE
SINGLE PEDAL	8-2
C	
CAMSHAFT AND OIL PAN	
GM 4.3L GASOLINE AND LPG	2-40
CARRIAGE	
THREE STAGE FULL FREE-LIFT	11-20
TWO STAGE LIMITED FREE-LIFT	10-12
CHARGE PUMP	5-38
COIL ASSEMBLY	
GM 4.3L GASOLINE AND LPG	2-47
CONTROL LEVER LABELS	
MANUAL HYDRAULICS	1-28
CONTROL VALVE	
THREE SPEED TRANSMISSION	5-22
TWO SPEED TRANSMISSION (→ S/N D024V01665E)	5-32
TWO SPEED TRANSMISSION (S/N D024V01666E →)	5-36
CONTROL VALVE AND STEERING UNIT ASSEMBLY	
ELECTRONIC CONTROL - THREE FUNCTION	9-48
ELECTRONIC CONTROL - FOUR FUNCTION	9-50
ELECTRONIC CONTROL - FIVE FUNCTION	9-52
MANUAL CONTROL - THREE FUNCTION	9-34
MANUAL CONTROL - FOUR FUNCTION	9-36
COOLING	
CUMMINS 4.5L DIESEL	2-12
GM 4.3L GASOLINE AND LPG	2-10
COUNTERWEIGHT	1-22
COWL ELECTRICAL	
ELECTRIC HYDRAULIC	4-6
COWL MOUNT	1-11
CYLINDER BLOCK	
GM 4.3L GASOLINE AND LPG	2-38
CYLINDER HEAD	
GM 4.3L GASOLINE AND LPG	2-36
D	
DIESEL ENGINE ASSEMBLY	
CAMSHAFT - CUMMINS 4.5L	2-63
CRANKCASE BREATHER - CUMMINS 4.5L	2-70
CRANKSHAFT AND MAIN BEARINGS - CUMMINS 4.5L	2-82
CYLINDER BLOCK - CUMMINS 4.5L	2-60
CYLINDER HEAD - CUMMINS 4.5L	2-76
INTAKE AND EXHAUST MANIFOLDS - CUMMINS 4.5L	2-74
LUBRICATION SYSTEM - CUMMINS 4.5L	2-68
OIL PAN - CUMMINS 4.5L DIESEL	2-64
OIL PUMP AND FRONT GEAR COVER - CUMMINS 4.5L	2-66
PISTON AND CONNECTING ROD - CUMMINS 4.5L	2-86
REAR GEAR HOUSING - CUMMINS 4.5L DIESEL (→ S/N D024V01961F EXC. 01934)	2-54
REAR GEAR HOUSING - CUMMINS 4.5L DIESEL (S/N D024V01962F → INC. 01934)	2-56

TABLE OF CONTENTS (continued)

DESCRIPTION	PAGE
REAR GEAR TRAIN ACCESSORY MOUNTING COVER - CUMMINS 4.5L	2-73
ROCKER LEVERS - CUMMINS 4.5L	2-80
THERMOSTAT - CUMMINS 4.5L	2-58
VALVE TAPPETS - CUMMINS 4.5L	2-62
VIBRATION DAMPER - CUMMINS 4.5L	2-72
WATER PUMP AND CONNECTIONS - CUMMINS 4.5L	2-84
DIFFERENTIAL	6-10
DISTRIBUTOR ASSEMBLY	
GM 4.3L, GASOLINE AND LPG	4-14
DRIVE AXLE AND ATTACHING PARTS	
WET BRAKE	6-4
DRIVE AXLE HOUSING AND HUB	6-6
DRIVE TIRE AND WHEEL	6-2
E	
E-HYDRAULIC CONTROL CONVERSION KITS	13-4
ELECTRICAL SYSTEM	
RIGHT HAND CHASSIS	4-4
ELECTRO HYDRAULIC POPPET VALVE	
ELECTRONIC CONTROL VALVE - THREE, FOUR, AND FIVE FUNCTION	9-58
ELECTRONIC CONTROL LEVERS	
MINI-LEVER MODULES - DATE CODE 0724	4-40
MINI-LEVER MODULES (FOUR AND FIVE FUNCTION) - DATE CODE 0725 THRU 0743	4-44
MINI-LEVER MODULES (FOUR AND FIVE FUNCTION) - DATE CODE 0744	4-52
MINI-LEVER MODULES (THREE FUNCTION) - DATE CODE 0725 THRU 0743	4-42
MINI-LEVER MODULES (THREE FUNCTION) - DATE CODE 0744	4-48
ELECTRONIC LEVER LABELS	
MINI LEVER DUAL FUNCTION	1-32
MINI LEVER SINGLE FUNCTION	1-30
ELECTRONIC THROTTLE LINKAGE	
CUMMINS 4.5L DIESEL	3-34
ENGINE ELECTRICAL SYSTEM	
CUMMINS 4.5L DIESEL	4-28
GM 4.3L GASOLINE AND LPG	4-12
ENGINE MOUNTING	
CUMMINS 4.5L DIESEL	2-16
GM 4.3L GASOLINE AND LPG	2-14
EXHAUST SYSTEM	
CUMMINS 4.5L DIESEL	2-6
GM 4.3L GASOLINE AND LPG	2-4
EXHAUST WRAPS	
GM 4.3L GASOLINE AND LPG	2-8
F	
FAN ASSEMBLY	
CUMMINS 4.5L DIESEL	2-23
FAN DRIVE AND MOUNTING	
CUMMINS 4.5L DIESEL	2-22

TABLE OF CONTENTS (continued)

DESCRIPTION	PAGE
FAN MOUNT ASSEMBLY	
GM 4.3L GASOLINE AND LPG	2-24
FIRE EXTINGUISHER	12-6
FLOORPLATES AND COVERS	
→ S/N D024V01944F	1-4
S/N D024V01944F → INC. 01916-01917, 01925, 01929, 01931-01932, 01934-0193	1-8
FLYWHEEL AND HOUSING	
CUMMINS 4.5L DIESEL	2-18
GM 4.3L GASOLINE AND LPG	2-20
FORK POSITIONER ASSEMBLY	12-12
FORK POSITIONER CYLINDER	12-16
FORKS	
STANDARD TAPER - CLASS IV	1-34
FORWARD CLUTCH LOW AND SECOND SHAFT	
TWO AND THREE SPEED TRANSMISSION - FWD1, RANGE2	5-16
FORWARD CLUTCH, HIGH AND OUTPUT SHAFT	
THREE SPEED TRANSMISSION - FWD2	5-18
FREE-LIFT	
THREE STAGE FULL FREE-LIFT	11-16
FREE-LIFT CYLINDER	
THREE STAGE FULL FREE-LIFT	11-18
FUEL FILTRATION SYSTEM	
CUMMINS 4.5L DIESEL	3-32
FUEL INJECTION	
CUMMINS 4.5L DIESEL	3-28
FUEL INJECTION PUMP AND GEAR	
CUMMINS 4.5L DIESEL	3-30
FUEL SYSTEM	
CUMMINS 4.5L DIESEL	3-26
GM 4.3L GASOLINE	3-10
GM 4.3L LPG	3-12
FULL SUSPENSION SEAT	
WITH AND WITHOUT ELECTRONIC CONTROLS	1-18
FULL SUSPENSION SWIVEL SEAT	
WITH AND WITHOUT ELECTRONIC CONTROLS	1-20
G	
GEAR PUMP	
→ S/N D024V01583E → S/N D024V01787E	9-16
S/N D024V01788E → S/N D024V01583E →	9-22
GEAR PUMP ASSEMBLY	
→ 3/2007	9-12
→ S/N D024V01583E (2097931) → S/N D024V01787E (2097932)	9-14
S/N D024V01788E → (2098593) S/N D024V01584E → (2098592)	9-18
H	
HAND LEVERS	
FOUR FUNCTION - WITH DETENTED LEVERS	9-28
FOUR FUNCTION - WITHOUT DETENTED LEVERS	9-32

TABLE OF CONTENTS (continued)

DESCRIPTION	PAGE
THREE FUNCTION - WITH DETENTED LEVERS	9-24
THREE FUNCTION - WITHOUT DETENTED LEVERS	9-26
HANG-ON SIDE-SHIFT CARRIAGE	
WITH FORK POSITIONER AND BACKREST	12-10
HEADER HOSE AND ATTACHING PARTS	
THREE STAGE FULL FREE-LIFT - 147.2 INCH LIFT-HEIGHT	11-22
THREE STAGE FULL FREE-LIFT - 182.7-218.1 INCH LIFT-HEIGHT	11-26
HEADER HOSE AND AUXILIARY TUBE	
TWO STAGE LIMITED FREE-LIFT	10-14
HEADER HOSE CONVERSION KITS	
HOIST HOSE AND ATTACHING PARTS	9-73
HOOD ASSEMBLY	1-2
HYDRAULIC CONTROL CONVERSIONS	13-5
HYDRAULIC FILTER	9-10
HYDRAULIC SUPPLY AND RETURN	
→ 3/2007	9-2
3/2007 →	9-6
I	
IMPACT SENSOR	4-56
INNER MAST	
THREE STAGE FULL FREE-LIFT	11-6
TWO STAGE LIMITED FREE-LIFT	10-4
INSTRUMENT CLUSTER	4-8
INTERMEDIATE MAST	
THREE STAGE FULL FREE-LIFT	11-4
L	
LABELS	
EXTERIOR	1-24
INTERIOR	1-26
LIGHT KITS	13-4
LIGHTS	
STOP, TAIL, TURN, BACKUP, AND STROBE	4-22
LOAD BACKREST EXTENSION	1-36
LOAD WEIGH ELECTRICAL	4-58
LPG TANK BRACKET	
SWING OUT	3-20
SWING OUT/ DROP DOWN	3-22
M	
MAIN LIFT	
THREE STAGE FULL FREE-LIFT	11-8
TWO STAGE LIMITED FREE-LIFT	10-6
MAIN LIFT CYLINDER	
THREE STAGE FULL FREE-LIFT	11-12
TWO STAGE LIMITED FREE-LIFT	10-10
MAST ELECTRICAL	4-38
MID INLET SECTION	
MANUAL AND ELECTRONIC CONTROL VALVE - THREE, FOUR AND FIVE FUNCTION	9-38

TABLE OF CONTENTS (continued)

DESCRIPTION	PAGE
MIRRORS	12-4
MONOTROL PEDAL ASSEMBLY	3-40
N	
NON SUSPENSION SEAT WITH HIP RESTRAINT	1-14
O	
OIL PUMP GM 4.3L GASOLINE AND LPG	2-48
OUTER MAST THREE STAGE FULL FREE-LIFT	11-2
TWO STAGE LIMITED FREE-LIFT	10-2
OUTLET SECTION ELECTRONIC CONTROL VALVE - THREE, FOUR, AND FIVE FUNCTION	9-64
MANUAL CONTROL VALVE - THREE AND FOUR FUNCTION	9-46
OUTPUT SHAFT TWO SPEED TRANSMISSION	5-30
OVERHEAD GUARD	1-12
P	
PARK BRAKE ASSEMBLY	8-14
POWER DISTRIBUTION MODULE	4-10
PUMP DRIVE	5-40
R	
REGULATOR GM 4.3L LPG	3-18
REMOTE KEY SWITCH	4-37
RETURN TO SET TILT KITS	13-4
REVERSE CLUTCH AND FIRST SHAFT TWO AND THREE SPEED TRANSMISSION - REV1, RANGE 1	5-20
S	
SEALED ALTERNATOR AND MOUNTING GM 4.3L GASOLINE AND LPG	4-18
SEAT CONVERSION KITS	13-3
SEMI SUSPENSION SEAT WITH AND WITHOUT ELECTRONIC CONTROLS	1-16
SIDE-SHIFT ASSEMBLY	12-14
SIDE-SHIFT CYLINDER	12-17
STARTER GM 4.3L (GS AND LPS)	4-20
STARTER AND MOUNT CUMMINS 4.5L DIESEL	4-36
STEER AXLE	7-10
STEER COLUMN ASSEMBLY	7-4
STEER CONTROL UNIT	7-6
STEER CYLINDER	7-12
STEER TIRE AND WHEEL	7-13

TABLE OF CONTENTS (continued)

DESCRIPTION	PAGE
STEERING COLUMN AND ATTACHING PARTS	
DIESEL	7-2
GASOLINE AND LPG	7-3
STEERING LINES	7-8
STROBE LIGHT	
LED	12-2
T	
THROTTLE BODY ASSEMBLY	
GM 4.3L LPG	3-16
THROTTLE BODY ASSEMBLY AND FUEL RAIL	
GM 4.3L GASOLINE	3-14
THROTTLE CABLE ASSEMBLY	
CUMMINS 4.5L DIESEL	3-36
THROTTLE PEDAL AND ATTACHING PARTS	3-38
TILT CYLINDER AND MAST INSTALLATION	9-66
TILT CYLINDERS	9-68
TILT HYDRAULICS	9-70
TILT SECTION	
ELECTRONIC CONTROL VALVE - THREE, FOUR AND FIVE FUNCTION	9-56
TORQUE CONVERTER	
CUMMINS 4.5L DIESEL	5-6
GM 4.3L GASOLINE AND LPG	5-4
TRANSMISSION ASSEMBLY	
THREE SPEED TRANSMISSION - SHEET 1 OF 2	5-10
THREE SPEED TRANSMISSION - SHEET 2 OF 2	5-14
TWO SPEED TRANSMISSION - SHEET 1 OF 2	5-24
TWO SPEED TRANSMISSION - SHEET 2 OF 2	5-28
TRANSMISSION COOLING	
WITH EXTERNAL OIL COOLER	5-8
TRANSMISSION ELECTRICAL SYSTEM	
THREE SPEED TRANSMISSION	4-26
TWO SPEED TRANSMISSION	4-24
TRANSMISSION MOUNT	5-2
V	
VALVE ASSEMBLY, LIFT AND LOWER	
ELECTRONIC CONTROL VALVE - THREE, FOUR AND FIVE FUNCTION	9-54
VALVE ASSEMBLY, LIFT AND TILT	
MANUAL CONTROL VALVE - THREE AND FOUR FUNCTION (→ S/N D024V01808E)	9-40
MANUAL CONTROL VALVE - THREE AND FOUR FUNCTION (S/N D024V01809E →)	9-42
VALVE COVER AND INLET MANIFOLD	
GM 4.3L GASOLINE AND LPG	2-44
VENT LINES	9-72
W	
WET BRAKE ASSEMBLY	6-12
WIRE HARNESS	
COWL WITH FORWARD/REVERSE LEVER - CUMMINS 4.5L DIESEL	4-102
COWL WITH MONOTROL PEDAL - CUMMINS 4.5L DIESEL	4-98

TABLE OF CONTENTS (continued)

DESCRIPTION	PAGE
ELECTRONIC CONTROL VALVE - THREE FUNCTION	4-106
ELECTRONIC CONTROL VALVE - FOUR FUNCTION	4-108
ELECTRONIC CONTROL VALVE - FIVE FUNCTION	4-110
ENGINE - GM 4.3L, GASOLINE (→ S/N D024V01924E)	4-82
ENGINE - GM 4.3L GASOLINE (S/N D024V01925E →)	4-84
ENGINE - GM 4.3L LPG (→ S/N D024V01739E)	4-88
ENGINE - GM 4.3L LPG (S/N D024V01740E →)	4-90
ENGINE - CUMMINS 4.5L DIESEL	4-94
GM 4.3L GASOLINE - LEFT HAND CHASSIS	4-80
GM 4.3L LPG - LEFT HAND CHASSIS	4-77
LIGHTS	4-122
LIGHTS (6/2007 →)	4-124
RIGHT HAND CHASSIS - GM 4.3L GASOLINE AND LPG (→ S/N D024V01739E (LPG)) (→ S/N D024V01924E (GASOLINE))	4-60
RIGHT HAND CHASSIS - GM 4.3L GASOLINE AND LPG (S/N D024V01740E → (LPG)) (S/N D024V01925E → (GASOLINE))	4-66
RIGHT HAND CHASSIS - CUMMINS 4.5L DIESEL	4-72
SEALED ALTERNATOR - CUMMINS 4.5L DIESEL	4-118
SEALED ALTERNATOR - GM 4.3L GASOLINE AND LPG	4-120
TRANSMISSION - THREE SPEED	4-112
TRANSMISSION - TWO SPEED	4-116

ABBREVIATIONS QUICK REFERENCE SHEET

Listed below are abbreviations used in parts manuals to denote the following expressions:

TERM	DEFINITION	TERM	DEFINITION
Amp	Amperes	FRE	Freezer Environment
AR	As Required	in.	inches
BDI	Battery Discharge Indicators	LPG	Liquefied Petroleum Gas
BWI	Brush Wear Indicator	MAP	Manifold Absolute Pressure
CE	Communicator End	mm	millimeters
CRE	Corrosive Environment	MSTS	Microprocessor Spark Timing System
D/B	Date Break	NPT	National Pipe Threads
dbA	Decibel "A" Scale	O/S	Oversize
DE	Drive End	PTO	Power Take Off
ECH	Empty Container Handler	RPM	Revolutions per Minute
ECH-3	Empty Container Handler - 3 High Stacking	S/N	Serial Number
ECH-4	Empty Container Handler - 4 High Stacking	TMM	Truck Management Module
ECH-5	Empty Container Handler - 5 High Stacking	UL Type D	Diesel-Powered Safety Rating
ECH-6	Empty Container Handler - 6 High Stacking	UL Type DS	Diesel-Powered Safety Rating
ECH-7	Empty Container Handler - 7 High Stacking	UL Type E	Battery-Powered Safety Rating
ECM	Electronic Control Module	UL Type EE	Battery-Powered Safety Rating
ECN	Engineering Change Notice	UL Type ES	Battery-Powered Safety Rating
EEPROM	Electrically Erasable Programmable Read Only Memory	UL Type G	Gasoline-Powered Safety Rating
EPA	US Environmental Protection Agency	UL Type GS	Gasoline-Powered Safety Rating
EPROM	Electrically Programmable Read Only Memory	UL Type LP	Gas-Powered Safety Rating
		UL Type LPS	LP Gas-Powered Safety Rating
		U/S	Undersize
		UL	Underwriters Laboratory
		V	Volts

HOW TO USE THE ILLUSTRATED PARTS MANUAL

This parts manual describes and illustrates assemblies, subassemblies, and detail parts needed for service replacement.

The different constructions are indicated by keys and footnotes. The callouts correspond to descriptions found on the next page.

HYSTER UNIT CODE D001 NORTH AMERICA 06/2001

TABLE OF CONTENTS

DESCRIPTION	PAGE
AIR INTAKE AND FILTER DIESEL (⇒ D/B 11/98)	3-22
AIR INTAKE AND FILTER DIESEL (D/B 11/96 ⇒)	
AIR INTAKE AND FILTER GASOLINE AND LPG	
ALTERNATOR GASOLINE, LPG, AND DIESEL	
ALTERNATOR TYPES GS, LPS, AND DS	
AUXILIARY FUNCTION TUBE TWO AND THREE STAGE FULL P	

SECTION 13 NUMERICAL INDEX

PART NO.	PAGE NO.	ITEM NO.	PART NO.	PAGE NO.	ITEM NO.	PART NO.	PAGE NO.	ITEM NO.	PART NO.	PAGE NO.	ITEM NO.
142	3-4	19	10-13	25		11-27	29	12-31	12		
12445	3-32	19	10-17	6		11-31	25	16719	3-36	5	
	3-34	1	10-27	11		11-32	37	16751	3-16	27	
			11	11		9-7	9	16849	3-34	21	
			12	6	16485	8-4	29		3-38	20	
			14	13		8-4	45	16863	3-28	17	
			16	6		8-8	34	16865	3-6	18	
			17	17		9-7	9		4-27	41	
			19	10		9-11	17	16882	9-7	30	
			23	46		10-9	21		9-11	27	
			27	46		10-9	28		10-10	36	
			28	14		10-9	28		10-13	32	
			26	14		10-13	16		11-7	24	
			28	14		11-7	19		11-9	17	
			30	14							

SECTIONS

- 1
- 2
- 3
- 4
- 5 BRAKE/ACC
- 6
- 7 MAST-TWO STAG
- 8 MAST-THREE ST
- 9 MAST-TWO ST
- 10
- 11

TRANSMISSION HOUSING ⇒ S/N D001H-2628

KEY:
A: Diesel
B: Gasoline and LPG

ITEM	PART NO.	DESCRIPTION	QTY	
			A	B
		Transmission	1	1
	2023329	Transmission	1	1
1	2021670	Case	2	2
2	2023418	Bearing Cap	4	4
3	296429	Washer	4	4
4	29394F	Bolt	1	1
5	2021390	Cover	2	2
6	1371656	Colter Pin	4	4
7	2021329	O-Ring	1	1
8	2021915	Plug	4	4
9	2021675	Housing	22	22
10	2021336	Pin	39	39
11	287860	Bolt	1	1
12	292682	Lockwasher	1	1
13		Hydraulic Pump ⇒ Figure 5-3	1	1
14	2021345	Gasket	1	1
15	214364	Bolt	8	8
16	296418	Washer	1	1
17	2021388	Temperature Switch	1	1
18	2021389	Breather	9	9
19	2021383	Dipstick	9	9
20	292515	Bolt	2	2
21	136692	Nut	3	3
22	292527	Bolt	3	2
23	292531	Capcrew	4	4
24	292583	Lockwasher	4	4
25	293637	Bolt	4	4
26	296420	Washer	1	1
	996403	Transmission Kit (Includes Item 7)	1	1
	996405	Transmission Kit (Includes Item 14)	1	1

This Parts Manual is divided into 11 major sections which are listed above. Quick be made by placing the right thumb on the tab of the desired section, bending the pages to the corresponding tab.

©Copy Right Date HYSTER COMPANY See Service Manual for service procedures. 5-15

HP990004

HOW TO FIND THE DESIRED PART NUMBER

WHEN THE PART NUMBER AND THE NEXT HIGHER ASSEMBLY IS NOT KNOWN:

1. Determine the function and application of the part required. Turn to the Sections Page. Choose the general area of reference most likely to include the part.
2. Turn to the section you chose. Use the Section Table of Contents to determine the assembly which would normally contain the part required. Then locate the part on the assembly breakdown page.

WHEN THE PART NUMBER IS NOT KNOWN AND THE NEXT HIGHER ASSEMBLY IS KNOWN:

3. Determine the assembly the required part is used on. Turn to the Table of Contents (Page i).
4. Locate the assembly the required part is used on and turn to the page indicated for that assembly. Then locate the part on the assembly breakdown page.

WHEN THE PART NUMBER IS KNOWN:

5. Use the Numerical Index (Page 14-1) to find the part number. Turn to the page listed and locate the part as indicated by the item number.

GENERAL:

The assembly breakdowns include part numbers, descriptions, quantities required, keys and footnotes to help in selecting correct parts.

6. Parts Supersession Information. Part numbers that have this history will be displayed in the parts list in the order that they were superseded (from oldest to newest). The superseded part numbers will be shown with a line through them.

Five periods in the PART NO. column (.) indicate that the part is either *Not Serviced Separately* or there is a reference to another figure. A figure reference is denoted by a pointing hand followed by a figure number in the DESCRIPTION column (☞ Figure 10)

7. Keys are used to show two or more similar assemblies, RH and LH assembly parts, etc. Select the appropriate key, "A", "B", "C", "D", or "E" and the corresponding quantity column to find the required parts. Two periods in the QTY column (..) indicate that the part is not used for that assembly.
8. Indented descriptions under the DESCRIPTION column are used to indicate assemblies and

subparts of assemblies. In the example on the previous page, *BEARING CAP* (Item 2) is a subpart of the major assembly *CASE*.

9. Quantities shown are for one assembly. The quantities of the subpart *BEARING CAP* are indicated as two and two. This means two per *CASE* assembly.
10. Serial number breaks identify the most current parts information and are shown as follows:
 - **S/N D001H2628**
Indicates last serial number affected.
 - S/N D001H2629** →
Indicates the first serial number affected.
 - S/N D001H1553** ↔ **S/N D001H3291**
Indicates a range of serial numbers affected.

ECN numbers for pending serial numbers are shown to allow for the inclusion of the most current parts information and are identified as follows:

→ **S/N Pending Per ECN 63243**

Indicates a pending serial number for last unit affected.

S/N Pending Per ECN 63243 →

Indicates a pending serial number for first unit affected.

Date breaks are used to indicate when a change occurred but a subsequent serial number break was not recorded. This is an arbitrary date usually based on the ECN release and are identified as follows:

→ **D/B 3/00**

Indicates that a change occurred sometime within that month for the item affected.

D/B 3/00 →

Indicates that a change occurred sometime within that month for the item affected.

D/B 3/00 ↔ **D/B 4/00**

Indicates a range of production dates of the item affected.

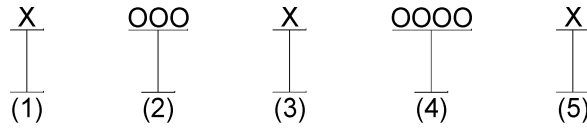
Contact your local dealer for Hyster lift trucks for serial number information for items with a ECN or a date break.

ORDERING PARTS:

When ordering replacement parts, give the unit serial number, part number, name of part and quantity required.

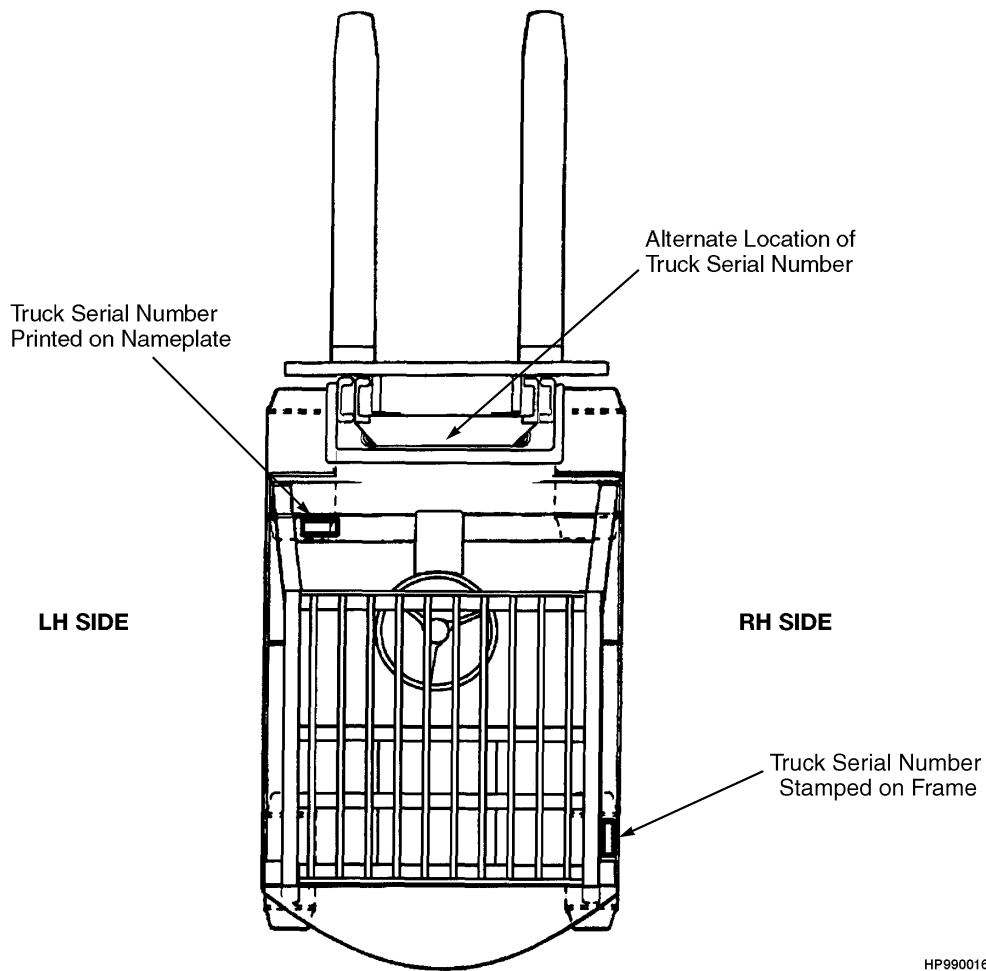
For any further information on parts, service, or ordering, consult your local dealer for Hyster lift trucks.

IDENTIFICATION OF TRUCK SERIAL NUMBERS

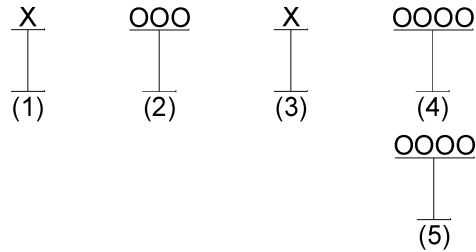


- (1) and (2) The first letter and three numbers indicate the truck unit code.
- (3) The second letter indicates the plant of manufacture.
- (4) The four or five digit number indicates the production sequence number of the truck.
- (5) The final letter indicates the year of manufacture starting with "A" in 1957, 1980, and 2003. The letters "I", "O", and "Q" will not be used.

For pending serial numbers contact your local dealer for Hyster lift trucks.



Parts referred to in this book as right or left hand parts are in accordance with the illustration above.

IDENTIFICATION OF MAST SERIAL NUMBERS

- (1) and (2) The first letter and number indicates the mast unit code.
- (3) The second letter indicates the plant of manufacture.
- (4) The four or five digit number indicates the production sequence number of the mast.
- (5) Carriage travel in millimeters stamped just below the serial number.

Mast Group identification consists of mast unit code (1) and (2) plus carriage travel (5).

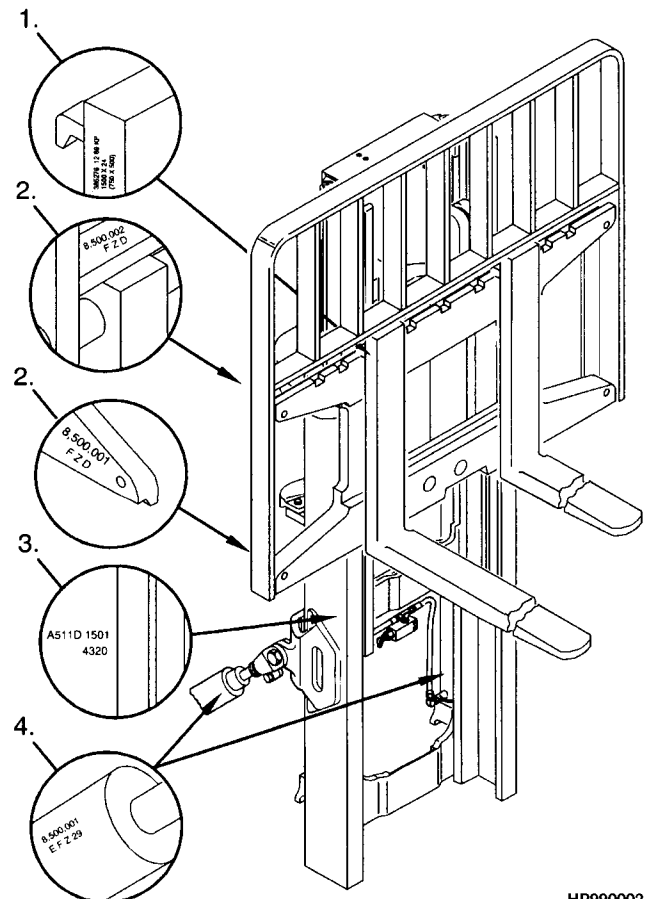
For pending production sequence numbers contact your local dealer for Hyster lift trucks.

LIFT EQUIPMENT IDENTIFICATION

1. Fork part number, capacity rating, plant code letter, and date of manufacture are stamped approximately six inches below the top of most forks.
2. The carriage group number is stamped on the right hand side of the top crossmember (pin type) or on the back of the right hand end of the bottom crossmember (hook type). A date code has two letters in line with or below the carriage group number.
3. The mast identification number has a unit code, a letter indicating the plant of manufacture, and a serial number. Underneath the production sequence number is a four digit number that indicates the carriage travel in millimeters.
4. Tilt and lift cylinder group numbers are stamped on the cylinder shell.

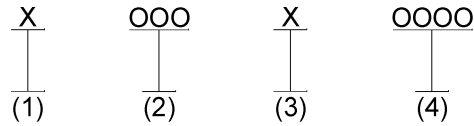
Always refer to the group, serial, or part number when ordering service parts.

Modification of masts and carriages by SPED (Special Products Engineering Department) are identified by a model prefix code beginning with the letter "S". contact your dealer for Hyster lift trucks for information on these assemblies.



HP990002

IDENTIFICATION OF ATTACHMENT AND SIDE-SHIFT CARRIAGE SERIAL NUMBERS

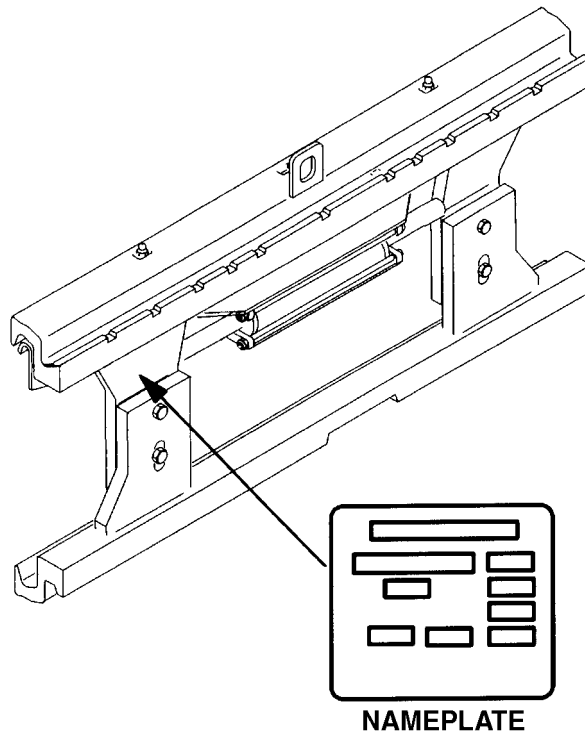


(1) and (2) The first letter and three numbers indicate the attachment unit code.

(3) The second letter indicates the plant of manufacture.

(4) The four or five digit number indicates the production sequence number.

For pending production sequence numbers contact your local dealer for Hyster lift trucks.



HP990003

Side-shift carriages and attachments have nameplates. Use the serial number found on the nameplate to identify the attachment.

Always refer to the group, serial, or part number when ordering service parts.

Modifications of attachments and side-shift carriages by SPED (Special Products Engineering Department) are identified by a model prefix code beginning with the letter "S". Contact your dealer for Hyster lift trucks for information on these assemblies.

PUBLICATIONS

Every new lift truck is provided with an OPERATING MANUAL. This manual has information that the operator must know for inspection and operation of the lift truck.

SERVICE MAINTENANCE MANUALS, which provide service and overhaul procedures, and PARTS

MANUALS with complete replacement part identification, are available at a nominal fee from your Hyster dealer to assist users in effectively maintaining Hyster lift trucks in a safe, useful condition. See the list below for information on ordering specific publications for this model lift truck.

PUBLICATION	HYSTER PART NUMBER
Operating Manual.....	1652483
Service Manual (Complete).....	1652520
Parts Manual.....	1652512